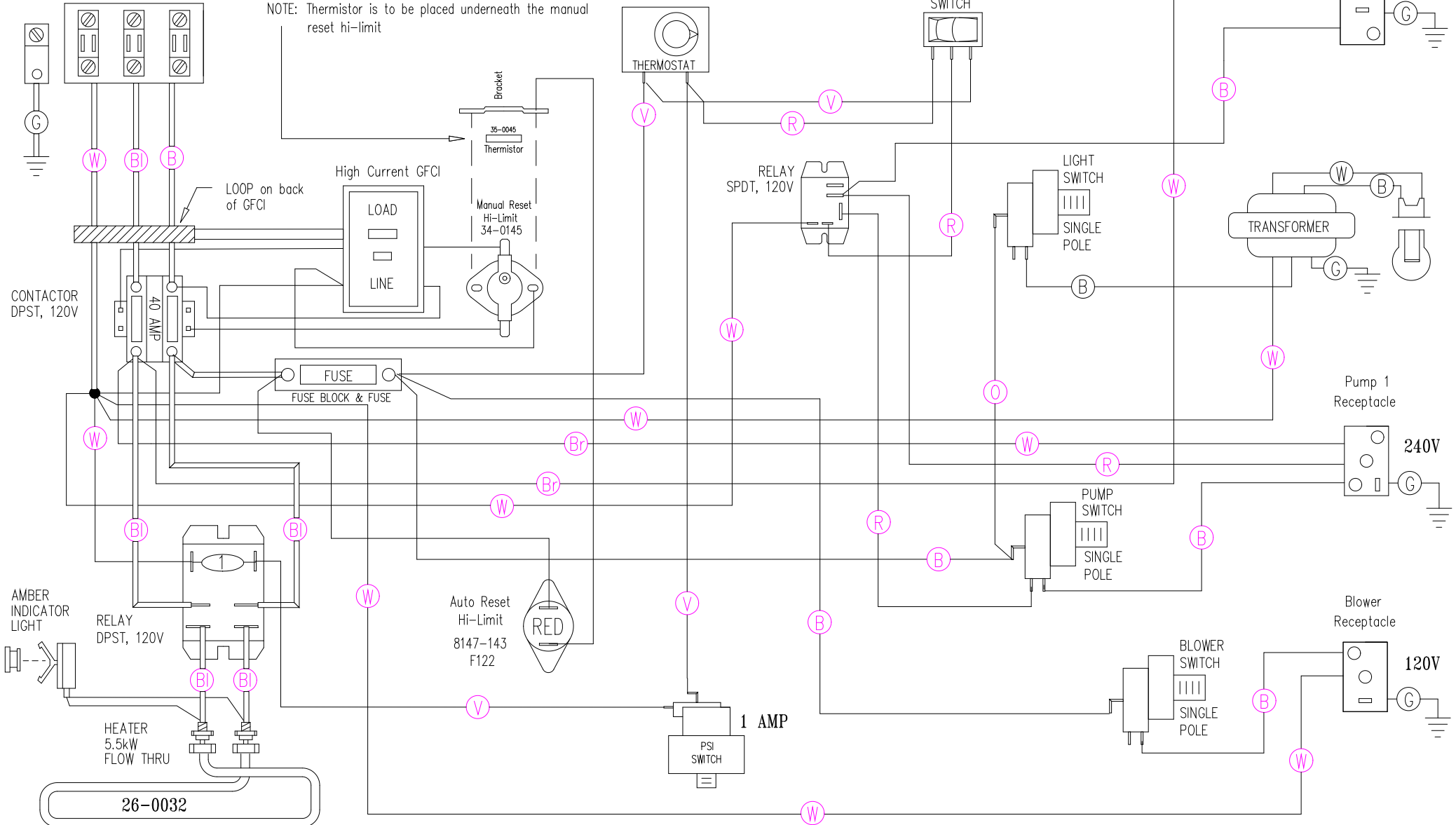


240V
Ozone Receptacle

GR N L2 L1



NOTE: Thermistor is to be placed underneath the manual reset hi-limit

CONTACTOR DPST, 120V

High Current GFCI

THERMOSTAT

ROCKER SWITCH

RELAY SPDT, 120V

LIGHT SWITCH SINGLE POLE

TRANSFORMER

FUSE FUSE BLOCK & FUSE

Pump 1 Receptacle

240V

AMBER INDICATOR LIGHT

RELAY DPST, 120V

Auto Reset Hi-Limit 8147-143 F122

PUMP SWITCH SINGLE POLE

Blower Receptacle

120V

BLOWER SWITCH SINGLE POLE

HEATER 5.5kW FLOW THRU

1 AMP PSI SWITCH

26-0032

HYDRO-QUIP
CORONA, CA 951.273.7575

Manufacture Notes: ① ON RELAY INDICATES CAPACITOR.

Approved By:

Dwg. No. 201TH-DKQY

Drawn BH
Date 8.24.00

Rev 1
Wire Color Code

Diagram No. 883A

B - Black G - Green
Br - Brown Bl - Blue
R - Red V - Violet
O - Orange W - White
Y - Yellow Gr - Grey